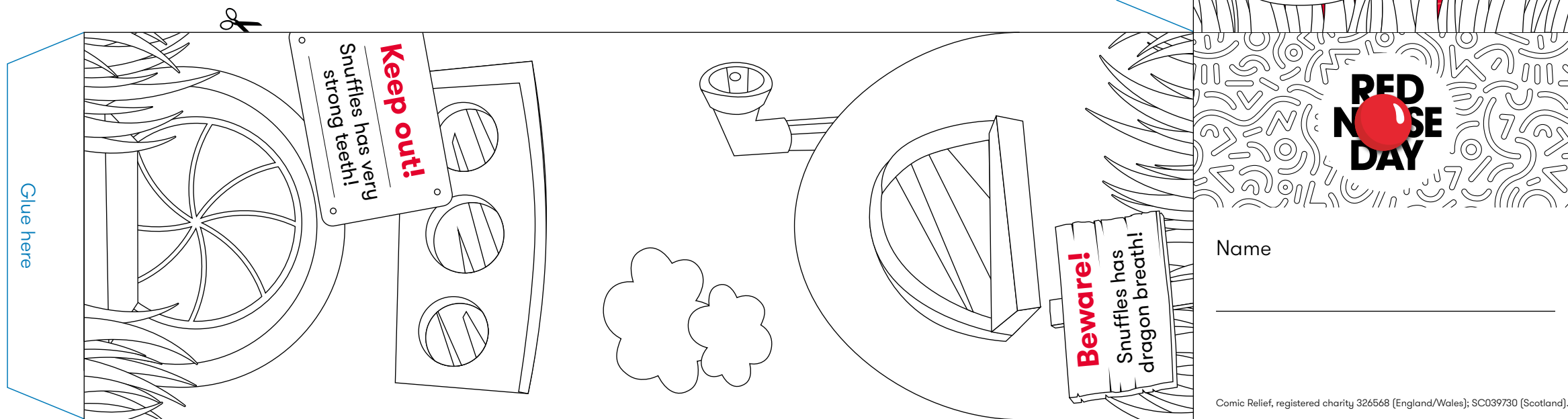




Friday 24 March

Make your Snuffles Moneybox

There can be nose safer place to keep your fundraising money than at Nose HQ. Especially with Snuffles our Dragon Nose and her very strong teeth guarding it! You could take it home and do some fundraising with with your parents or carers.



Instructions:

- 1 Colour in and then cut out the moneybox.
- 2 Carefully fold Snuffles money area and cut out the slot for the money.
- 3 Stick your moneybox together.
- 4 Take home for your tooth minute fundraising.

Comic Relief, registered charity 326568 (England/Wales); SC039730 (Scotland).



Feed me some yummy money!



Make as many moneyboxes as you want!